

MINIATURE CIRCUIT BREAKERS (MCB) C100M



Functions:

- protection of the electrical circuits from overload or short circuits of the outer circuit
- it can be used as a device for commutation and control of electrical circuits
- in combination with auxiliary devices it allows remote control, commutation or indication of the protected circuit

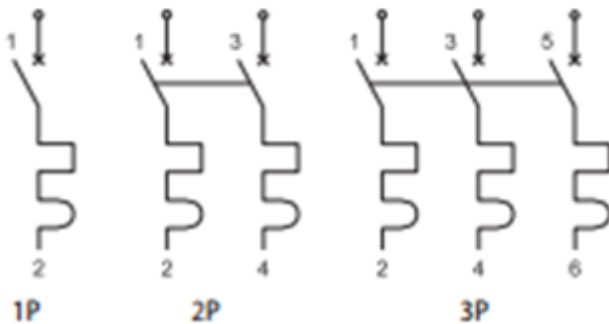
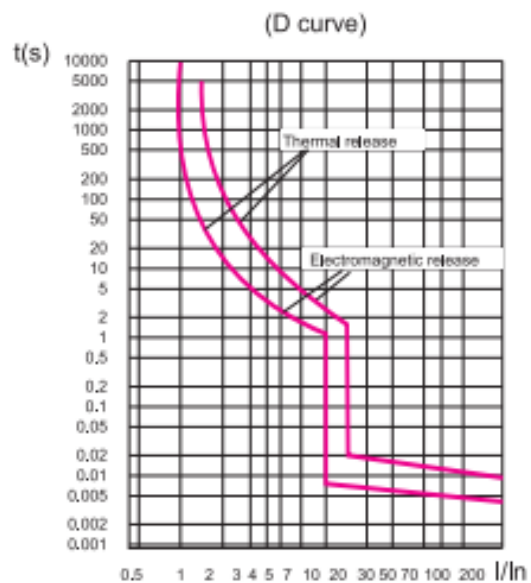
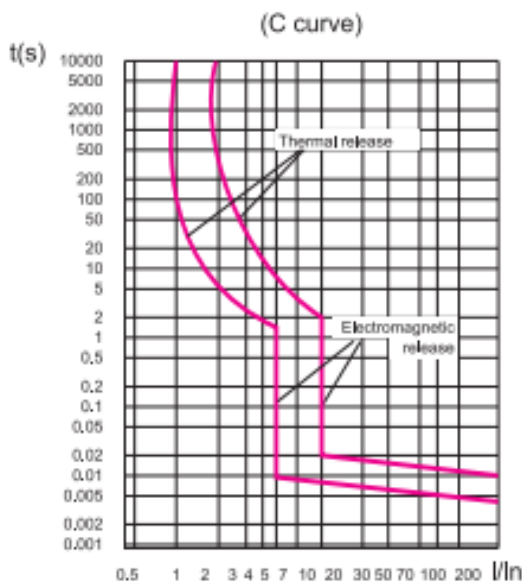


Technical data:	
Rated voltage:	230/400V; 50/60Hz
Breaking capacity (cycle O-CO) in accordance with standard EN 60 898-1:	10000A
Rated breaking capacity:	Ics= 75% Icu
Isolating voltage:	≥2000V
Electrical wear resistance (number of cycles):	4000
Mechanical (number of cycles):	20000
Class of current limiting:	3
IP code:	IP>20
Tripping curve:	C, D
Joining terminal:	Flat (tunnel) screw terminal with composition 1.5 coldly draw-plated plane Q235A
Plastic box:	Not keeping the burning material nylon PA66, UV rays wear resistance
Box permitivity strength:	>18MV/m
Abnormal heating wear resistance and fire of the outer parts:	960°C / 3s
Power supply:	<ul style="list-style-type: none"> ▪ power supply busbar ▪ rigid conductors up to 50 ▪ flexible conductors up to 35
Tightening moment:	1.33Nm
Maximum current release containing:	copper coil - composition: pure copper T2 type
	resistance: from 148 to 230m
	welding effort: <400 N/ mm2
	bimetal plate – composition: TB180/0.5
	thickness: 0.8mm
	magnetic core – composition: coldly drawplated metal wire (1Gr18Ni9)
	thickness: 1.15 to 2.24μm
	drawing effort: 20N/ mm2
	contact head of the movable contact – composition: silver graphite CAg(5)
	dimension 6x6x1
	static contact – composition: pure copper T2Y2
	composition of the contact head: silver graphite CAg(5)

Mounting:

- Vertical
- Din-rail
- Possibility for labeling
- For mounting in industrial environment
- Ambient temperature: -5°C to $+65^{\circ}\text{C}\pm 2^{\circ}$

Schemes:



C100M constructive series
 └─── number of poles (1;2;3;4)

D x ─── rated current
 └─── tripping curve C, D

Basic data:

■ MCB C100M- 1P



Type	Number of poles	Rated current In(A)	Breaking capacity (kA)	Packing/ Box (pcs)	Catalog number Curve B	Catalog number Curve C	Catalog number Curve D
C100M	1P	80	10	9 / 180	41180B	41180	41180D
C100M	1P	100	10	9 / 180	41190B	41190	41190D
C100M	1P	125	10	9 / 180	41195B	41195	41195D

■ MCB C100M- 2P



Type	Number of poles	Rated current In(A)	Breaking capacity (kA)	Packing/ Box (pcs)	Catalog number Curve B	Catalog number Curve C	Catalog number Curve D
C100M	2P	80	10	6 / 120	41282	41280	41281
C100M	2P	100	10	6 / 120	41292	41290	41291

■ MCB C100M- 3P



Type	Number of poles	Rated current In(A)	Breaking capacity (kA)	Packing/ Box (pcs)	Catalog number Curve B	Catalog number Curve C	Catalog number Curve D
C100M	3P	80	10	4 / 60	41382	41380	41381
C100M	3P	100	10	4 / 60	41392	41390	41391

■ MCB C100M- 4P



Type	Number of poles	Rated current In(A)	Breaking capacity (kA)	Packing/ Box (pcs)	Catalog number Curve B	Catalog number Curve C	Catalog number Curve D
C100M	4P	80	10	3 / 60	41482	41480	41481
C100M	4P	100	10	3 / 60	41492	41490	41491

Standards:

- EN 60898-1:2003
- EN 60947-2:2006

